

# ORWAK HORIZONTAL 800 AT

Our fully automated horizontal baler meets the challenges by centralized waste handling in many businesses and organizations where huge volumes of recyclable paper-based and plastic wrapping are produced. We offer well-proven technology for special demands! The automatic tying and the continuous baling enable multi-shift operation.



**AUTOMATIC  
SOLUTION**

**17 600-  
28 600  
LBS/H**

**CAPACITY  
CARDBOARD**

**1764  
LBS**

**BALE WEIGHT  
CARDBOARD**



## ORWAK BENEFITS



### **MORE PRODUCTIVE USE OF TIME**

Less time spent on waste handling, more time for your core activities!

### **MORE SPACE & ORDER**

Our balers rapidly minimize the space the waste takes up, keeping aisles free and tidy.

### **LESS COSTS, MORE VALUE**

More compaction = less waste volume to transport. Fewer transports required results in lower transportation costs and reduced CO<sub>2</sub> emissions. Sorting at source yields a higher quality of waste material for recycling.

## WHY ORWAK HORIZONTAL?

- Effective large-scale waste handling
- Improved internal and external logistics
- Safe and comfortable working environment
- Excellent control over the throughput
- Increased income when delivering high-quality bales directly to the recycling industry.

**ORWAK**<sup>®</sup>  
PART OF **SULO** GROUP

# ORWAK HORIZONTAL 800 AT

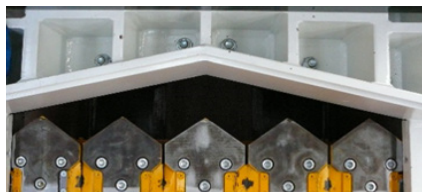
Smart fully automated solution

## CONTINUOUS FEEDING AND OUTPUT

A completely automated waste management solution designed for continuous infeed, automatic horizontal or vertical strapping system with adjustable wire links, which enables you to yield optimal output.

## EQUIPPED WITH A PROGRESSIVE CUTTING SYSTEM

for extra effective compaction .



## OPTIMAL FEATURES

- Well proven technology
- Auto start (photocell) as standard
- High speed: fast throughput
- Adjustable bale length
- Bale counter
- Oil cooler
- Vertical or horizontal automatic tying

## HORIZONTAL 800 AT IS OPTIMIZED FOR:

### PAPER

- Paper sacks
- Cardboard

### PLASTIC

- Shrink film
- PET/PEHD

### METAL

- Food cans
- Pain cans

### WOOD

- Crates

## A VARIETY OF INFEEED OPTIONS

To fit the conditions in your environment, our horizontal balers offer a wide choice of infeed systems: manual, by bin, air-transport and conveyor belt. Our balers can also easily be equipped with shredders, bottle presses, rufflers, strippers and different types of hoppers.

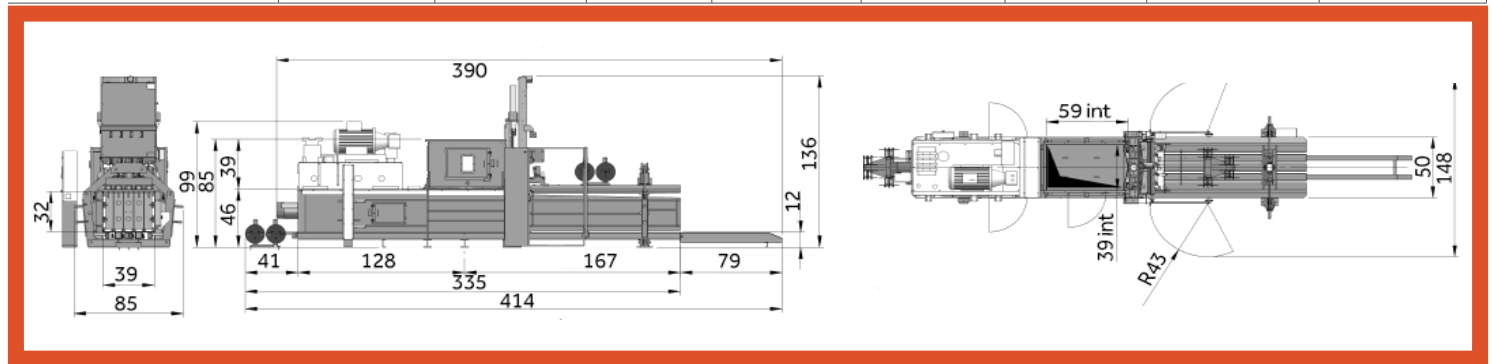
## OPTIONS

- Horizontal tying
- Bin lifter
- Conveyor belt
- Cooling and heating systems
- Stamper

*More special options on demand*

## DIMENSIONS & SPECIFICATIONS

TECHNICAL SPECIFICATIONS								
MACHINE DIMENSIONS (LxWxH) EXCL BALE EXIT	FEED OPENING	INFEEED CAPACITY	PRESS FORCE	MOTOR	SURFACE PRESSURE	CYCLES PER MINUTE	CHANNEL SECTION	OIL TANK CAPACITY
335"x85"x136"	61"x39"	43.8 ft <sup>3</sup>	176,369 lbs	75 Hp	142 psi	5	39"x32"	264 gal



TECHNICAL SPECIFICATIONS					
TOTAL MACHINE WEIGHT	PRODUCTION RATE WITH LOAD	PRODUCTION ACCORDING TO DENSITY	AUTOMATIC BINDING	BALE SIZE (ADJUSTABLE LENGTH)	BALE WEIGHT CARDBOARD <small>DEPENDS ON BALE LENGTH</small>
28,660 lbs	7,946 ft <sup>3</sup> /h	17,600-28,600 lbs/h	4 wires	40"x32"x32-87"	882-1764 lbs

*We reserve the right to make changes to specifications without prior notice. Bale weights are dependent upon material type.*

Power: 3 x 460 V, 60 Hz

### ORWAK NORTH AMERICA, INC.

9200 Globe Center Drive, Suite 130  
Morrisville  
NC 27560, USA  
Phone: +1-800-747-0449  
Email: info@orwakbalers.com

**ORWAKBALERS.COM**

