

ORWAK HORIZONTAL 500 AT

Our fully automated horizontal baler meets the challenges by centralized waste handling in many businesses and organizations where huge volumes of recyclable paper-based and plastic wrapping are produced. We offer well-proven technology for special demands! The automatic tying and the continuous baling enable multi-shift operation.



**AUTOMATIC
SOLUTION**

**4400-
9900**
LBS/H

**CAPACITY
CARDBOARD**

1320
LBS

**BALE WEIGHT
CARDBOARD**



ORWAK BENEFITS



MORE PRODUCTIVE USE OF TIME

Less time spent on waste handling, more time for your core activities!

MORE SPACE & ORDER

Our balers rapidly minimize the space the waste takes up, keeping aisles free and tidy.

LESS COSTS, MORE VALUE

More compaction = less waste volume to transport. Fewer transports required results in lower transportation costs and reduced CO₂ emissions. Sorting at source yields a higher quality of waste material for recycling.

WHY ORWAK HORIZONTAL?

- Effective large-scale waste handling
- Improved internal and external logistics
- Safe and comfortable working environment
- Excellent control over the throughput
- Increased income when delivering high-quality bales directly to the recycling industry.

ORWAK[®]
PART OF **SULO** GROUP

ORWAK HORIZONTAL 500 AT

Smart fully automated solution

CONTINUOUS FEEDING AND OUTPUT

A completely automated waste management solution designed for continuous infeed, automatic horizontal or vertical strapping system with adjustable wire links, which enables you to yield optimal output.

EQUIPPED WITH A PROGRESSIVE CUTTING SYSTEM



OPTIMAL FEATURES

- Well proven technology
- Auto start (photocell) as standard
- High speed: fast throughput
- Adjustable bale length
- Bale counter
- Vertical or horizontal automatic tying

HORIZONTAL 500 AT IS OPTIMIZED FOR:

PAPER

- Paper sacks
- Cardboard

PLASTIC

- Shrink film
- PET/PEHD

METAL

- Food cans
- Pain cans

WOOD

- Crates

A VARIETY OF INFEEED OPTIONS

To fit the conditions in your environment, our horizontal balers offer a wide choice of infeed systems: manual, by bin, air-transport and conveyor belt. Our balers can also easily be equipped with shredders, bottle presses, rufflers, strippers and different types of hoppers.

OPTIONS

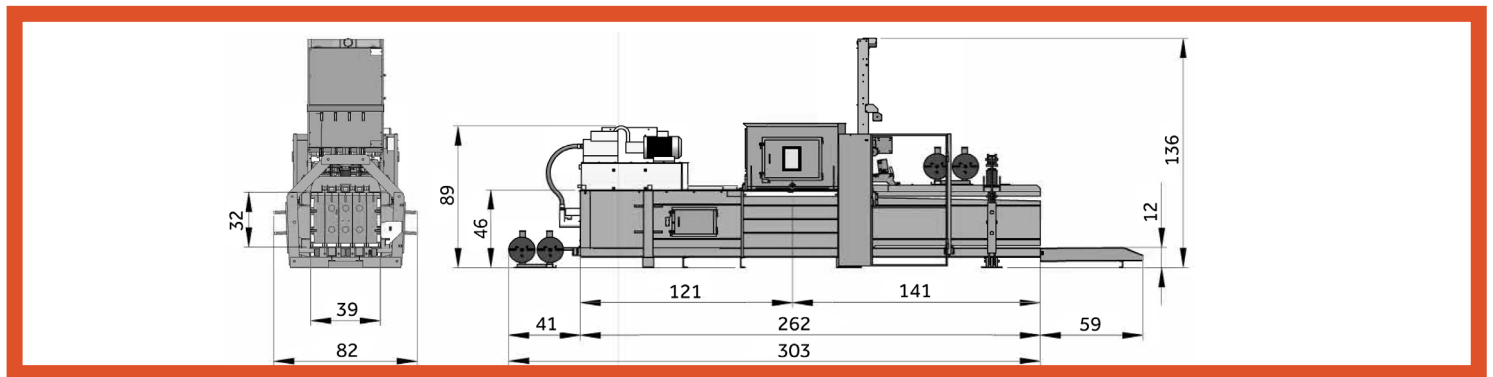
- Horizontal tying
- Bin lifter
- Conveyor belt
- Cooling and heating systems
- Stamper

More special options on demand

DIMENSIONS & SPECIFICATIONS

TECHNICAL SPECIFICATIONS

MACHINE DIMENSIONS (LxWxH) EXCL BALE EXIT	FEED OPENING	INFEEED CAPACITY	PRESS FORCE	MOTOR	SURFACE PRESSURE	CYCLES PER MINUTE	CHANNEL SECTION	OIL TANK CAPACITY
303"x82"x136"	55"x39"	39.55 ft ³	110,200 lbs 132,300 lbs	20 Hp 30 Hp	89 psi 109 psi	2 3	40"x32"	106 gal 132 gal



TECHNICAL SPECIFICATIONS

TOTAL MACHINE WEIGHT	PRODUCTION RATE WITH LOAD	PRODUCTION ACCORDING TO DENSITY	AUTOMATIC BINDING	BALE SIZE (ADJUSTABLE LENGTH)	BALE WEIGHT CARDBOARD <i>DEPENDS ON BALE LENGTH</i>
18,740 lbs/19,842 lbs	2825/5297 ft ³ /h	4,400-9,900 lbs/h	4 wires	40"x32"x32-85"	880-1320 lbs

We reserve the right to make changes to specifications without prior notice. Bale weights are dependent upon material type.

Power: 3 x 460 V, 60 Hz

ORWAK NORTH AMERICA, INC.

9200 Globe Center Drive, Suite 130
Morrisville
NC 27560, USA
Phone: +1-800-747-0449
Email: info@orwakbalers.com

ORWAKBALERS.COM

