

# ORWAK POWER 3325

ORWAK POWER is a dynamic baler family based on an innovative hydraulic concept. It is stronger, faster and smarter to give you more value for the money! 3325 is a great choice for both cardboard and plastic and has especially good properties for compaction of plastic foil. This model comes with a regular pendulum door.



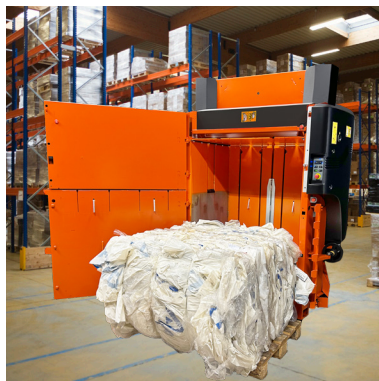
SECONDS

900 LBS

BALE WEIGHT  
CARDBOARD



## ORWAK BENEFITS



### MORE PRODUCTIVE USE OF TIME

Less time spent on waste handling, more time for your core activities!

### MORE SPACE & ORDER

Our balers rapidly minimize the space the waste takes up, keeping aisles free and tidy.

### LESS COSTS, MORE VALUE

More compaction = less waste volume to transport. Fewer transports required results in lower transportation costs and reduced CO<sub>2</sub> emissions. Sorting at source yields a higher quality of waste material for recycling.

## WHY ORWAK POWER?

- Powerful compaction of large volumes of waste
- Low-built design for easy transportation and rich placement opportunities
- Intelligent features help you stay in control

**ORWAK**  
PART OF Sulo GROUP

# ORWAK POWER 3325

Great properties for cardboard and particularly soft plastic

## STRONGER

**The innovative hydraulic concept**, introduced by us as "Black Star Technology", is based on the reverse technique of pulling instead of pushing the press-plate downwards when compacting material. Advantages:

- the cylinders are at its strongest point when pressure peaks
- a long piston stroke

These factors contribute to powerful compaction into dense bales!

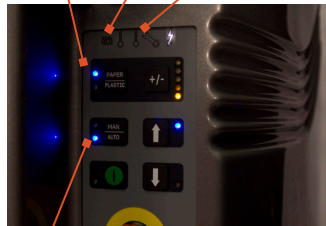
**Solid design:** ORWAK POWER, with its light spherical design, the ISO 3834-certified welding of the chamber and the durable cylinder design, is created for a long heavy-duty service life.

## FASTER

**A rapid baler that keeps up with your pace:**

- More throughput at less energy consumption than in traditional baling systems!
- Very short cycle time of only 24 seconds!
- Equipped with autostart!

Material selector for cardboard and plastic Full bale indicator Service indicator



Adjustable bale size

- Low-built for easy transportation and installation
- User-friendly panel
- Modern design
- Silent operation
- Bales can be secured by polyester straps or wire

## ORWAK POWER 3325 IS OPTIMIZED FOR:

### PAPER

- Cardboard
- Shredded paper

### PLASTIC FOIL

- Shrink film
- Plastic bags

## SMARTER

**Baler with brains:** The new PCB features data storage capacity, technical machine monitoring, communication opportunities and - as forerunner in the baler business - fulfills performance level D for personal safety.

**Orwak Connect communication:** The POWER balers are ready to communicate when choosing the option Orwak Connect. It is a modem-based communication service enabling the baler to send updates and alerts to the caretaker as well as vital information and bale statistics to the web portal.

## SPECIAL PLASTIC MODE

Equipped with a special software for successful compaction of plastic foil. It gets activated when the baler is run in the manual LP mode and will keep the waste under pressure for 5 minutes to squeeze out more air from the bulky plastic.

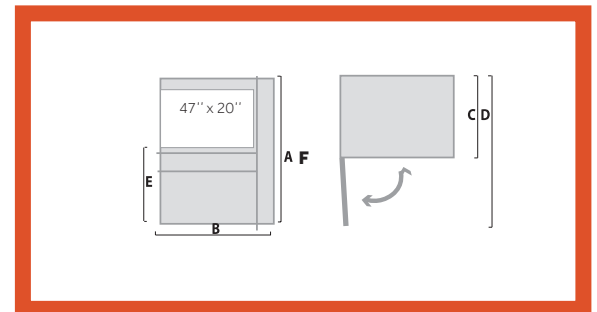
Complies with the EN 16500:2014 safety requirement standard for vertical balers

## DIMENSIONS

A	B	C	D	E	F*
7'10"	70"	42"	92"	45"	6'6"***

\*Transport height

\*\*Transport feet add 4" but can be removed after unloading



## TECHNICAL SPECIFICATIONS

LOADING APERTURE	CYCLE TIME	PRESS FORCE	BALE SIZE	BALE WEIGHT	MACHINE WEIGHT	NOISE LEVEL	PROTECTION CLASS	OPERATING POWER
Width: 47" Height: 20"	24 secs	57,320 lbs	Width: 47" Depth: 32" Height: 45"	Cardboard: Up to 900 lbs Plastic: Up to 1000 kg	2380 lbs	≤ 65 db (A)	IP 55	3-phase 3x208 V, 60 Hz 3-phase 3x440 V, 60 Hz

We reserve the right to make changes to specifications without prior notice. Bale/bag/bin weights are dependent upon material type.

## ORWAK NORTH AMERICA, INC.

9200 Globe Center Drive, Suite 130  
Morrisville  
NC 27560, USA  
Phone: +1-800-747-0449  
Email: info@orwakbalers.com

**ORWAKBALERS.COM**

**ORWAK**  
PART OF Julo GROUP