

BRICKMAN 300 STAINLESS STEEL

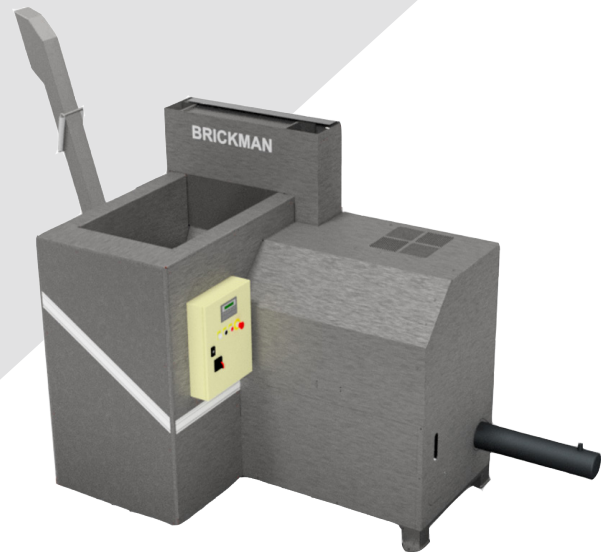
This version of BRICKMAN 300, with extended cylinder and all vital components made of stainless steel, is designed for effective compaction of large amounts of PET bottles, aluminum cans and Tetra Paks containing liquid. The automated solution is time-saving and convenient. Due to a small footprint and low sound emission, BRICKMAN 300 can be placed indoors close to the source of waste.



**AUTOMATIC
SOLUTION**



**CAPACITY
FILLED PET
BOTTLES**



ORWAK BENEFITS



MORE PRODUCTIVE USE OF TIME

Less time spent on waste handling, more time for your core activities!

MORE SPACE & ORDER

Our balers rapidly minimize the space the waste takes up, keeping aisles free and tidy.

LESS COSTS, MORE VALUE

More compaction = less waste volume to transport. Fewer transports required results in lower transportation costs and reduced CO₂ emissions. Sorting at source yields a higher quality of waste material for recycling.

WHY BRICKMAN?

- Convenient fully automated compaction solution
- Impressive volume reduction of up to 20:1
- Great placement opportunities indoors

ORWAK
PART OF SULO GROUP

BRICKMAN 300 STAINLESS STEEL

Turns large volume of material into compact briquettes for recycling

CONVENIENT AND EFFICIENT

BRICKMAN offers time-saving and comfortable waste handling. The press can be fed while running, there is no lid or door to open when loading the material and the ready briquettes require no binding.

Furthermore, optional photocells can automate the start function. The material infeed and briquette outfeed are easy to integrate in system solutions.

OPTIMIZED LOGISTICS

Thanks to BRICKMAN's compact dimensions and low sound emission, it can be placed indoors close to the waste disposal station.



BRICKMAN 300 STAINLESS STEEL IS OPTIMIZED FOR:

FILLED CONTAINERS

- PET bottles
- Aluminum cans

CAPACITY

Up to 374 lb/h
Up to 320 lb/h

DESIGNED FOR CONTAINERS FILLED WITH LIQUID

Thanks to the following features, this sturdy version of BRICKMAN 300 is especially designed for compaction of bottles, aluminum cans and Tetra Paks containing liquid:

- Extension on the press cylinder
- Automatic greasing of the press plate
Reinforced material in press chamber, press plate, cutting blades, guide piston and press loop
- Hopper, all cover plates, shafts, cover plate guillotine, feeding plate, brackets, machine stand reinforcement, guides, back plate, brake, stand to cover plates and briquette chute in stainless steel
- Galvanized machine stand

OPTIONAL ACCESSORIES

BRICKMAN can be ordered with a number of accessories; different chute options, start systems, sound absorption plates as well as heating and cooling devices.

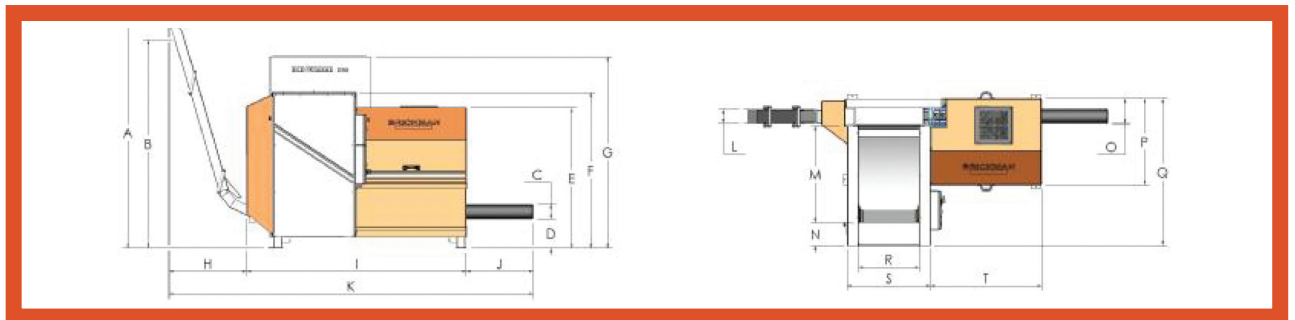
DIMENSIONS & SPECIFICATIONS

DIMENSIONS (inches)

A	B	C	D	E	F	G	H	I	J	K	L	M	N	O	P	Q	R
89.50	76.75	Ø5.71	16.75	53.50	59.00	74.00	33.50	86.25	26.00	145.75	5.50	37.50	8.25	9.75	33.50	56.75	23.75

DIMENSIONS (inches)

S	T
32.50	43.25



TECHNICAL SPECIFICATIONS

MACHINE WEIGHT	PRESS FORCE	PRESSURE	HOPPER	BRIQUETTE SIZE	DENSITY*	NOISE LEVEL	PROTECTION CLASS	OPERATING POWER**
3750 lbs	55,000 lbs	Up to 500 kg/cm	26 cubic ft	3.25"x3.25"x4-12"	Up to 1000 kg/m ³	68 db (A)	IP 55	3x440/460 V

We reserve the right to make changes to specifications without prior notice. * Density varies with type of material. ** Other voltages are available

ORWAK NORTH AMERICA, INC.

9200 Globe Center Drive, Suite 130
Morrisville
NC 27560, USA
Phone: +1-800-747-0449
Email: info@orwakbalers.com

ORWAKBALERS.COM

