

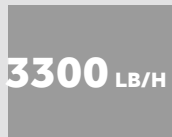
# BRICKMAN 2000C

BRICKMAN 2000C, equipped with a cyclone for a compact less space demanding machine design, is developed to compact extra large quantities of bulky waste, such as cardboard and PET bottles. The automated solution is time-saving and convenient.

**New feature:** silent powerpack as standard for a pleasant low noise level working environment.



**AUTOMATIC  
SOLUTION**



**CAPACITY  
CARDBOARD**



## ORWAK BENEFITS



### **MORE PRODUCTIVE USE OF TIME**

Less time spent on waste handling, more time for your core activities!

### **MORE SPACE & ORDER**

Our balers rapidly minimize the space the waste takes up, keeping aisles free and tidy.

### **LESS COSTS, MORE VALUE**

More compaction = less waste volume to transport. Fewer transports required results in lower transportation costs and reduced CO<sub>2</sub> emissions. Sorting at source yields a higher quality of waste material for recycling.

## WHY BRICKMAN?

- Convenient fully automated compaction solution
- Impressive volume reduction of up to 20:1
- Great placement opportunities indoors

**ORWAK**  
PART OF SULO GROUP

# BRICKMAN 2000C

Turns large volume of material into compact briquettes for recycling

## CONVENIENT AND EFFICIENT

BRICKMAN offers time-saving and comfortable waste handling. The press can be fed while running, there is no lid or door to open when loading the material and the ready briquettes require no binding. Furthermore, optional photocells can automate the start function. The material infeed and briquette outfeed are easy to integrate in system solutions.



## COMPACT MACHINE DESIGN THANKS TO CYCLONE

The innovative cyclone, based on a patented technique, allows for a notably smaller powerpack and a reduced oil volume in the tank. It makes BRICKMAN 2000C less space demanding and easier to transport. This saves transportation costs and enables installations in various environments.



## BRICKMAN 2000C IS OPTIMIZED FOR:

### CARDBOARD

- Corrugated cardboard

### CAPACITY

Up to 3300 lb/h

### PLASTIC

- PET bottles

### CAPACITY

Up to 2756 lb/h

## NEW FEATURE: SILENT POWERPACK

It ensures a low sound emission contributing to an improved working environment and promoting installations directly at the waste source and in storage areas close to the customer environment.

## DESIGNED FOR HEAVY DUTY

Thanks to the following features, the robust briquette press BRICKMAN 2000C is especially designed for compaction of large volumes of cardboard and empty PET bottles:

- Extension on the press cylinder
- Automatic greasing of the press plate
- Reinforced material in press chamber, press plate, cutting blades, guide piston and press loop

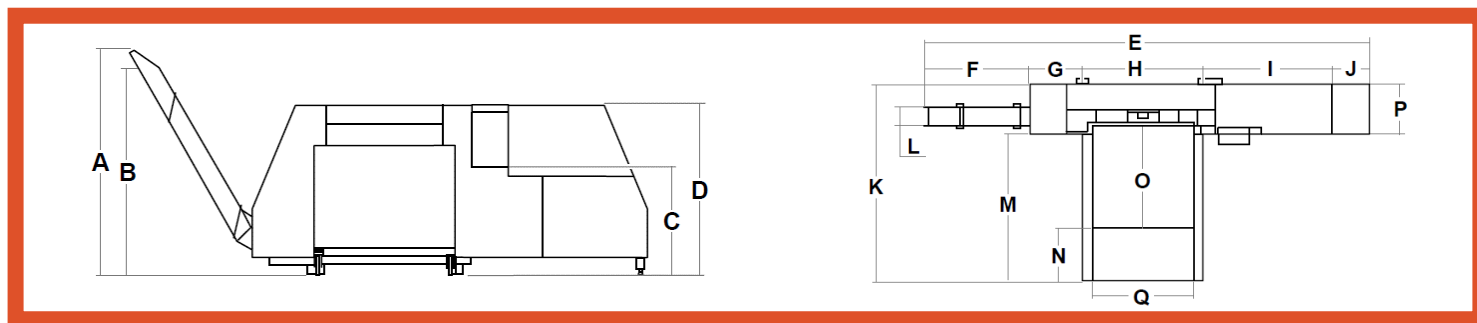
## OPTIONAL ACCESSORIES

BRICKMAN can be ordered with a number of accessories; different chute options, start systems, sound absorption plates as well as heating and cooling devices.

## DIMENSIONS & SPECIFICATIONS

### DIMENSIONS (mm)

A	B	C	D	E	F	G	H	I	J	K	L	M	N	O	P	Q
97.25	79.25	46.65	73.23	225.00	53.50	27.00	61.22	64.37	19.09	100.79	10.50	74.75	27.00	53.25	25.98	51.25



### TECHNICAL SPECIFICATIONS

MACHINE WEIGHT	PRESS FORCE	PRESSURE	HOPPER	BRIQUETTE SIZE	DENSITY*	NOISE LEVEL	PROTECTION CLASS	OPERATING POWER**
8380 lbs	55,000 lbs	Up to 62 kg/cm	2 m <sup>3</sup>	8" x 8" x 4" - 12"	Up to 400 kg/m <sup>3</sup>	65 db (A)	IP 55	3x440/460 V

We reserve the right to make changes to specifications without prior notice. \* Density varies with type of material. \*\* Other voltages are available

## ORWAK NORTH AMERICA, INC.

9200 Globe Center Drive, Suite 130  
Morrisville  
NC 27560, USA  
Phone: +1-800-747-0449  
Email: info@orwakbalers.com

[ORWAKBALERS.COM](http://ORWAKBALERS.COM)

