

ORWAK POWER 3325

ORWAK POWER is a dynamic baler family based on an innovative hydraulic concept. It is stronger, faster and smarter to give you more value for the money! 3325 is a great choice for both cardboard and plastic and has especially good properties for compaction of plastic foil. This model comes with a regular pendulum door.



SECONDS

900 LBS

BALE WEIGHT
CARDBOARD

ORWAK BENEFITS



MORE PRODUCTIVE USE OF TIME

Less time spent on waste handling, more time for your core activities!

MORE SPACE & ORDER

Our balers rapidly minimize the space the waste takes up, keeping aisles free and tidy.

LESS COSTS, MORE VALUE

More compaction = less waste volume to transport. Fewer transports required results in lower transportation costs and reduced CO₂ emissions. Sorting at source yields a higher quality of waste material for recycling.

WHY ORWAK POWER?

- Powerful compaction of large volumes of waste
- Low-built design for easy transportation and rich placement opportunities
- Intelligent features help you stay in control

 **ORWAK**
PART OF **SULO** GROUP

ORWAK POWER 3325

Great properties for cardboard and particularly soft plastic

STRONGER

The innovative hydraulic concept, introduced by us as "Black Star Technology", is based on the reverse technique of pulling instead of pushing the press-plate downwards when compacting material. Advantages:

- the cylinders are at its strongest point when pressure peaks
- a long piston stroke

These factors contribute to powerful compaction into dense bales!

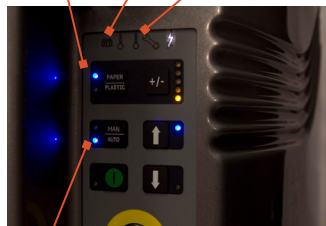
Solid design: ORWAK POWER, with its light spherical design, the ISO 3834-certified welding of the chamber and the durable cylinder design, is created for a long heavy-duty service life.

FASTER

A rapid baler that keeps up with your pace:

- More throughput at less energy consumption than in traditional baling systems!
- Very short cycle time of only 24 seconds!
- Equipped with autostart!

Material selector for cardboard and plastic Full bale indicator Service indicator



Adjustable bale size

- Low-built for easy transportation and installation
- User-friendly panel
- Modern design
- Silent operation
- Bales can be secured by polyester straps or wire

ORWAK POWER 3325 IS OPTIMIZED FOR:

PAPER

- Cardboard
- Shredded paper

PLASTIC FOIL

- Shrink film
- Plastic bags

SMARTER

Baler with brains: The new PCB features data storage capacity, technical machine monitoring, communication opportunities and - as forerunner in the baler business - fulfills performance level D for personal safety.

Orwak Connect communication: The POWER balers are ready to communicate when choosing the option Orwak Connect. It is a modem-based communication service enabling the baler to send updates and alerts to the caretaker as well as vital information and bale statistics to the web portal.

SPECIAL PLASTIC MODE

Equipped with a special software for successful compaction of plastic foil. It gets activated when the baler is run in the manual LP mode and will keep the waste under pressure for 5 minutes to squeeze out more air from the bulky plastic.

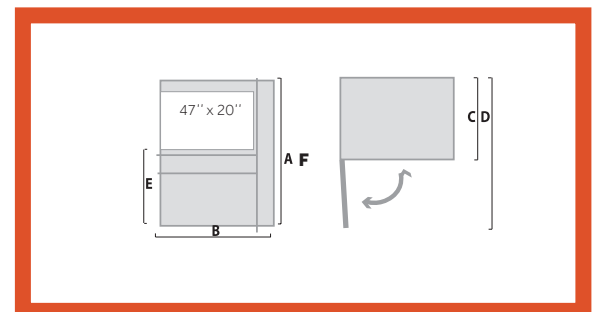
Complies with the EN 16500:2014 safety requirement standard for vertical balers

DIMENSIONS

A	B	C	D	E	F*
7'10"	70"	42"	92"	45"	6'6"***

*Transport height

**Transport feet add 4" but can be removed after unloading



TECHNICAL SPECIFICATIONS

LOADING APERTURE	CYCLE TIME	PRESS FORCE	BALE SIZE	BALE WEIGHT	MACHINE WEIGHT	NOISE LEVEL	PROTECTION CLASS	OPERATING POWER
Width: 47" Height: 20"	24 secs	57.320 lbs	Width: 47" Depth: 32" Height: 45"	Cardboard: Up to 900 lbs Plastic: Up to 1000 kg	2380 lbs	≤ 65 db (A)	IP 55	3-phase 3x208 V, 60 Hz 3-phase 3x440 V, 60 Hz

We reserve the right to make changes to specifications without prior notice. Bale/bag/bin weights are dependent upon material type.

ORWAK NORTH AMERICA, INC.

9200 Globe Center Drive, Suite 130
Morrisville
NC 27560, USA
Phone: +1-800-747-0449
Email: info@orwakbalers.com

ORWAKBALERS.COM

ORWAK
PART OF SULO GROUP